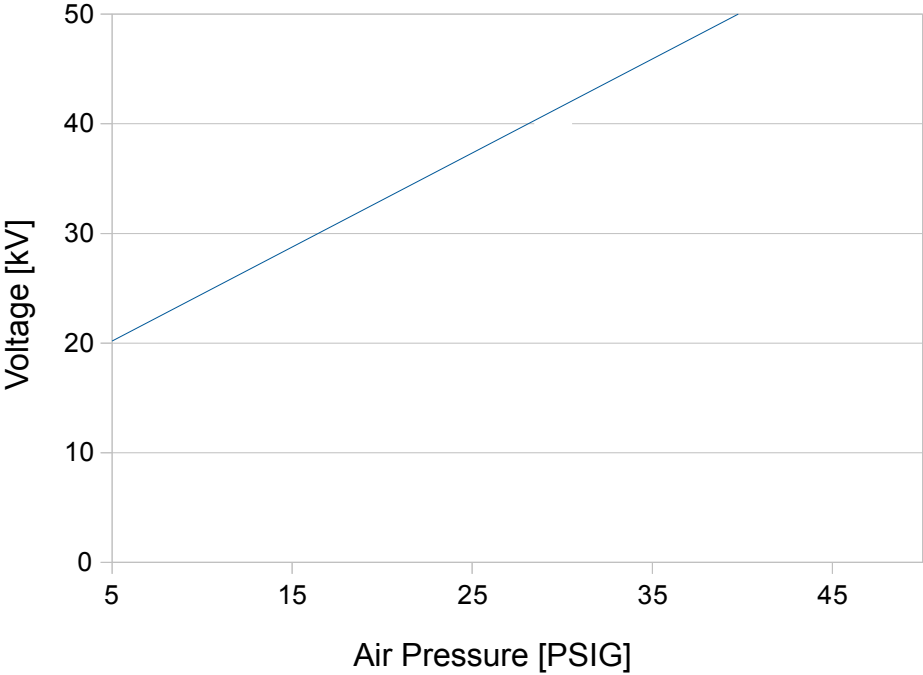
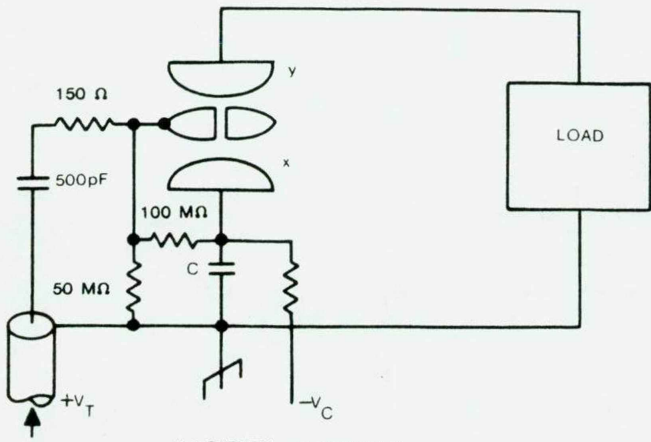


Model 40564 Static Breakdown Voltage

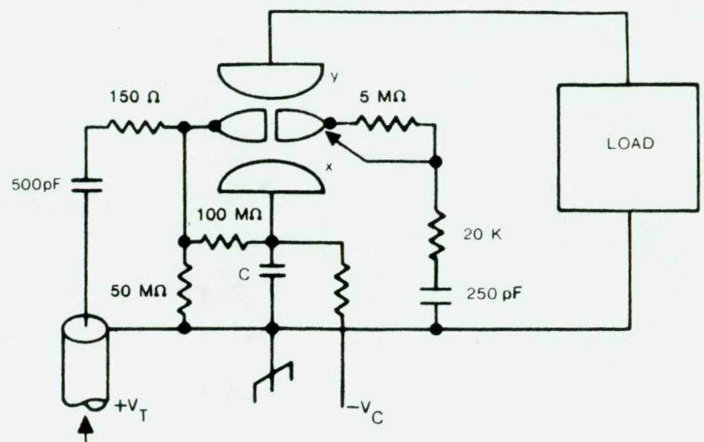


Operating voltage should be approximately 80% of the static-breakdown level. Connect as model 40280.

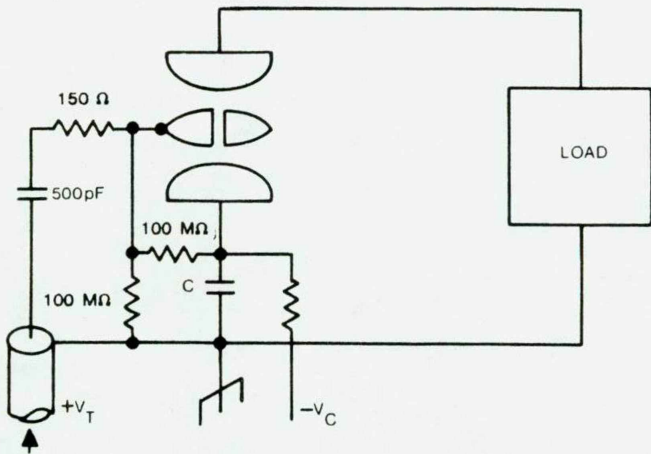
TYPICAL CIRCUIT ARRANGEMENT FOR MAXWELL SPARK GAPS



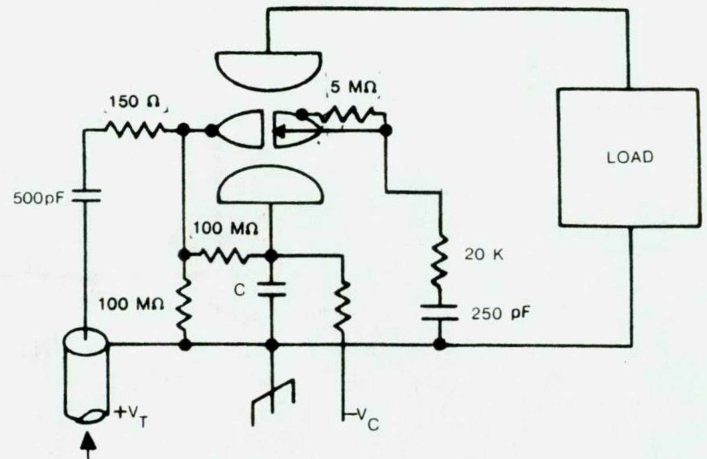
MODEL #40044



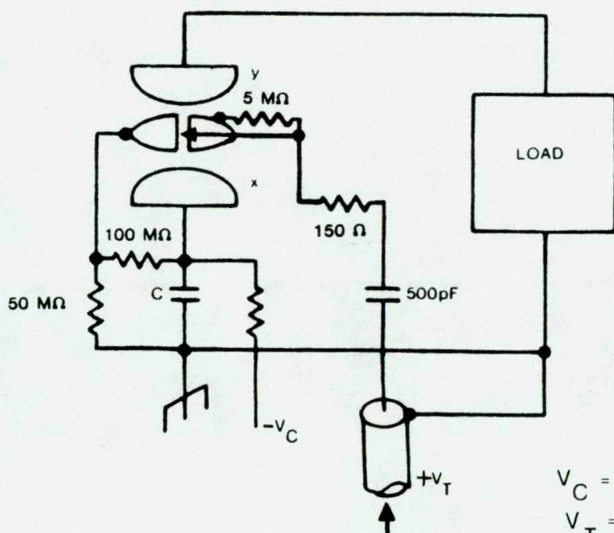
MODEL #40184, 40280



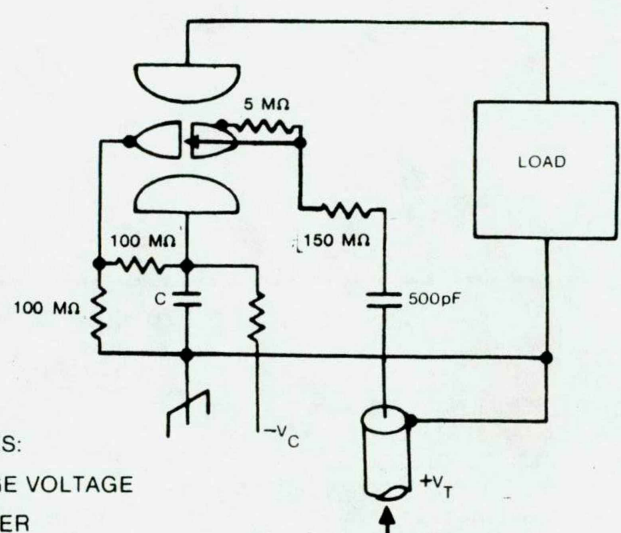
MODEL #40065, 40169, 40265



MODEL #40144



MODEL #40263



MODEL #40264, 40264-R

NOTES:

V_C = CHARGE VOLTAGE

V_T = TRIGGER

MODELS: 40044, 40184, 40263, AND 40280 CENTER ELECTRODES ARE BIASED AT $1/3 V_C$. ALL OTHER MODELS CENTER ELECTRODES ARE BIASED AT $1/2 V_C$.