

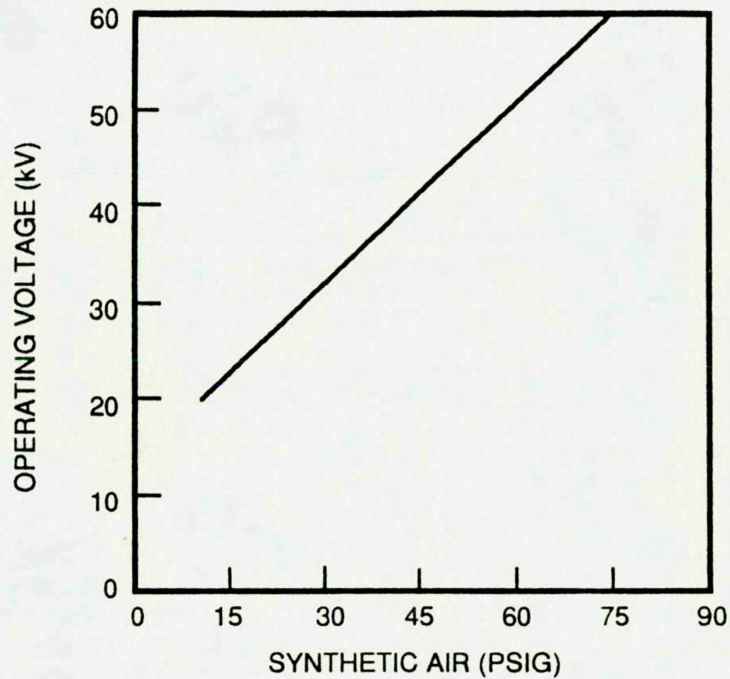
HIGH VOLTAGE SPARK GAPSWITCH

MODEL # 40280

RATINGS

VOLTAGE: 20 TO 60 kV.

MAXIMUM PEAK CURRENT: 50 kA



OPERATING CURVE $M = 1.2$

$$M = \frac{V_{\text{STATIC BREAKDOWN}}}{V_{\text{OPERATING VOLTAGE}}}$$

MLG-29,119

TO BE COMPLETED BY QUALITY ASSURANCE

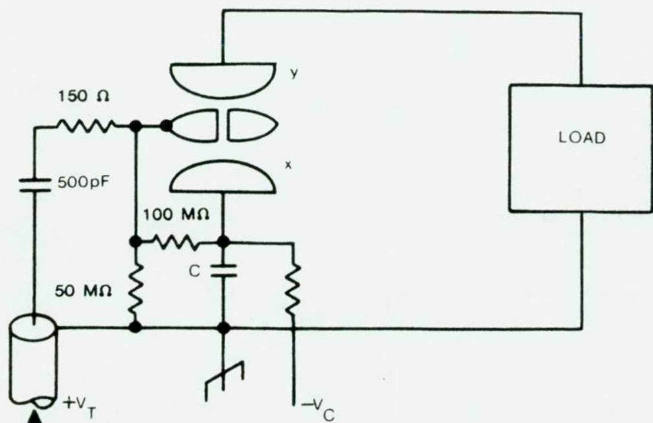
MLI
5

JAN 14 1992

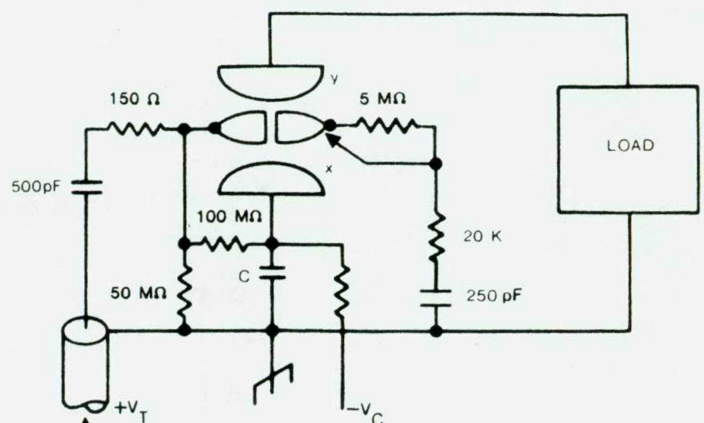
SERIAL NUMBER: 20035
LEAK TEST: OK
HIPOT TEST: OK
STATIC BREAKDOWN TEST: OK
IRR PIN TEST: 1KV ± 200V
DATE: 1-14-92

MAXWELL DWG NO. 77710-501

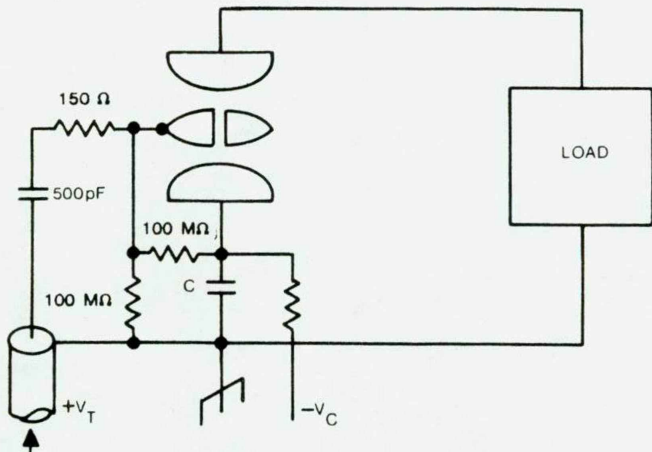
TYPICAL CIRCUIT ARRANGEMENT FOR MAXWELL SPARK GAPS



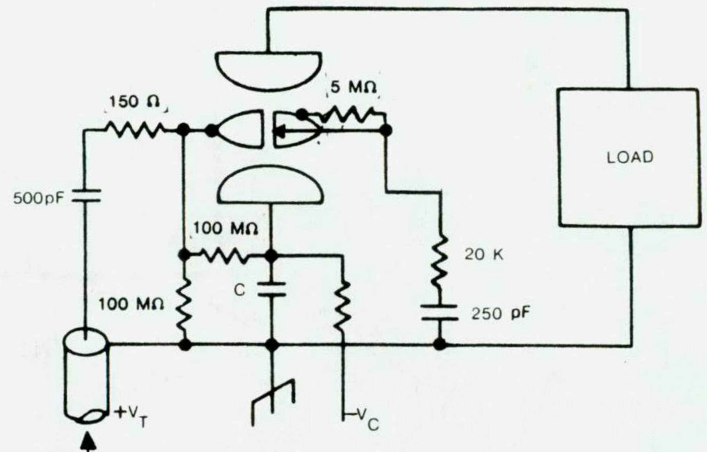
MODEL #40044



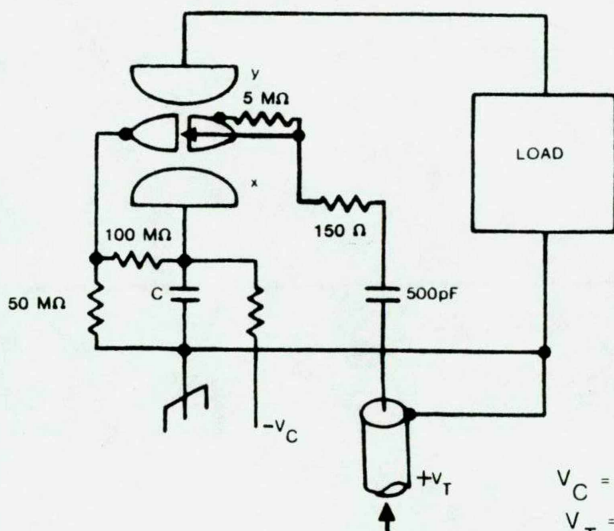
MODEL #40184, 40280



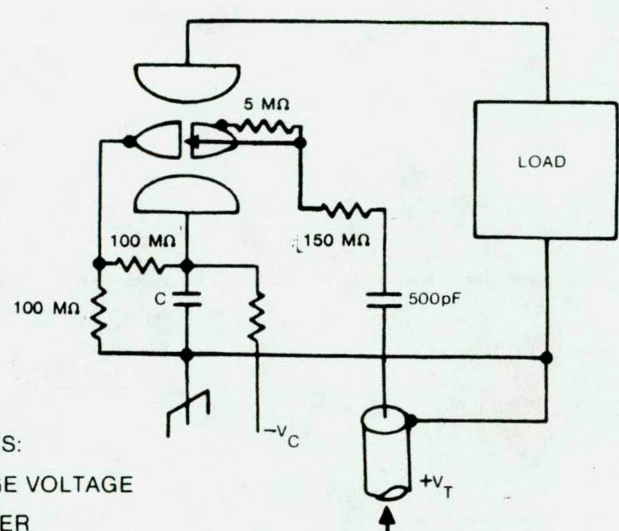
MODEL #40065, 40169, 40265



MODEL #40144



MODEL #40263



MODEL #40264, 40264-R

NOTES:

V_C = CHARGE VOLTAGE

V_T = TRIGGER

MODELS: 40044, 40184, 40263, AND 40280 CENTER ELECTRODES ARE BIASED AT 1/3 V_C . ALL OTHER MODELS CENTER ELECTRODES ARE BIASED AT 1/2 V_C .

MLA-9705 (C)