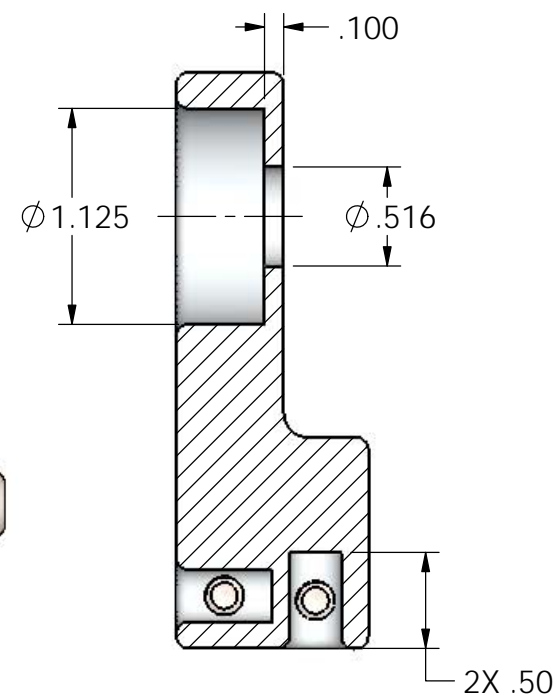
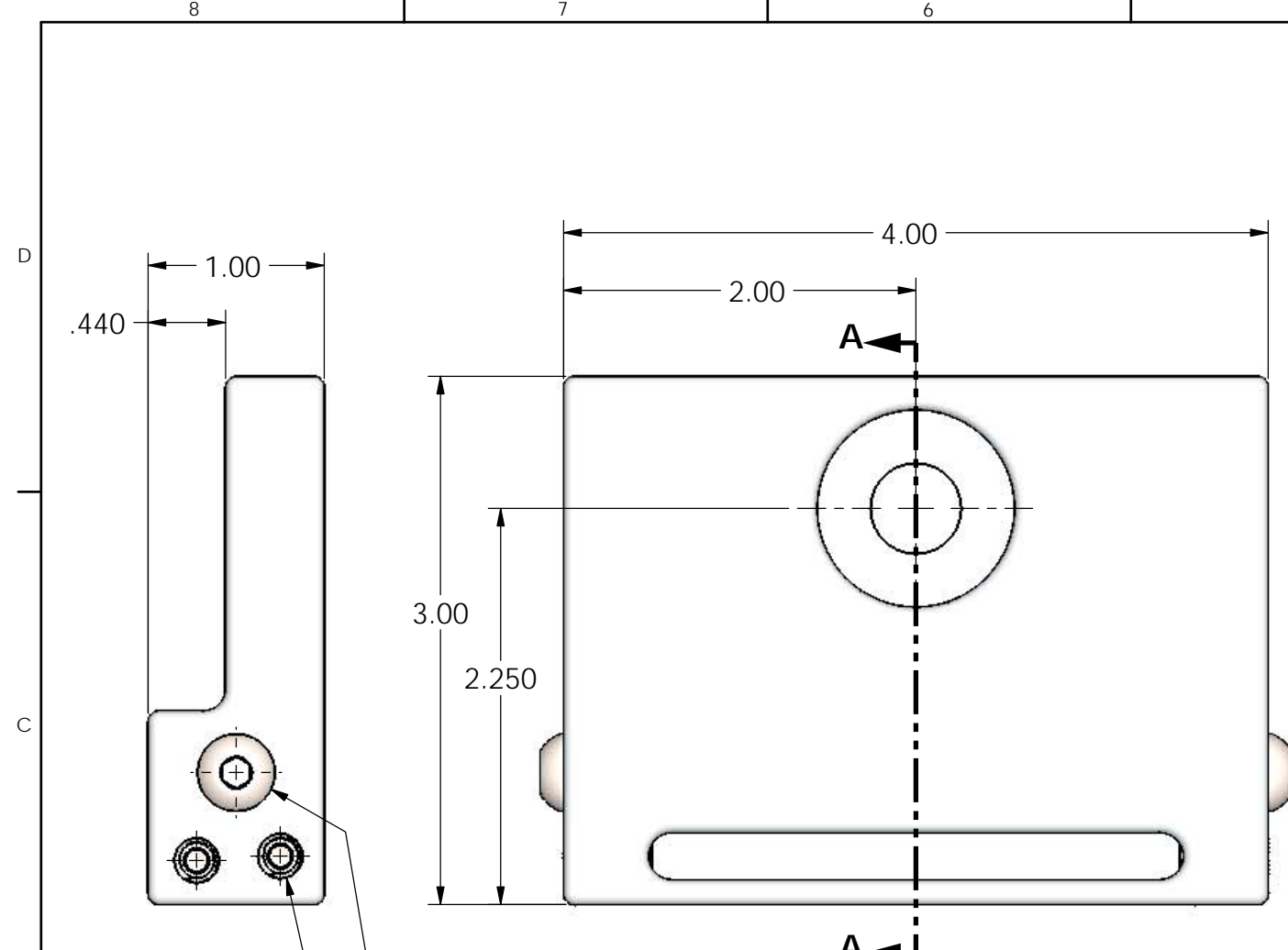
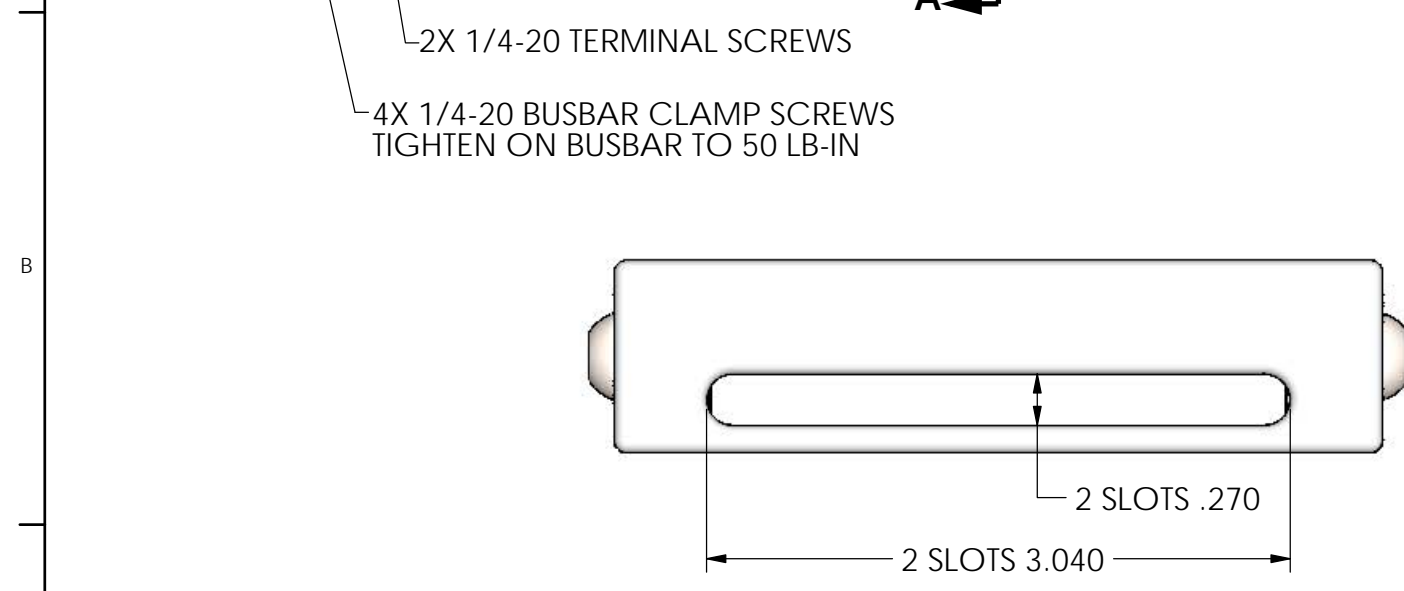


REVISIONS					
REV	ZONE	DESCRIPTION	CHANGED BY	APPROVED	MM/DD/YY



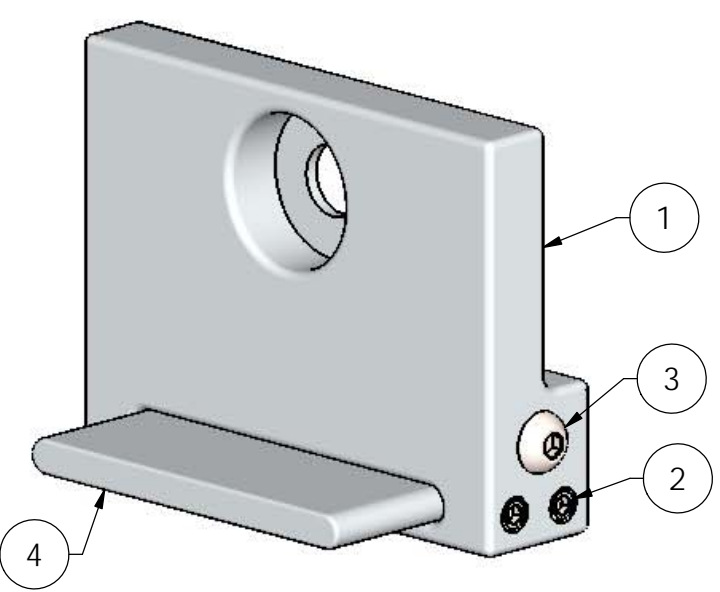
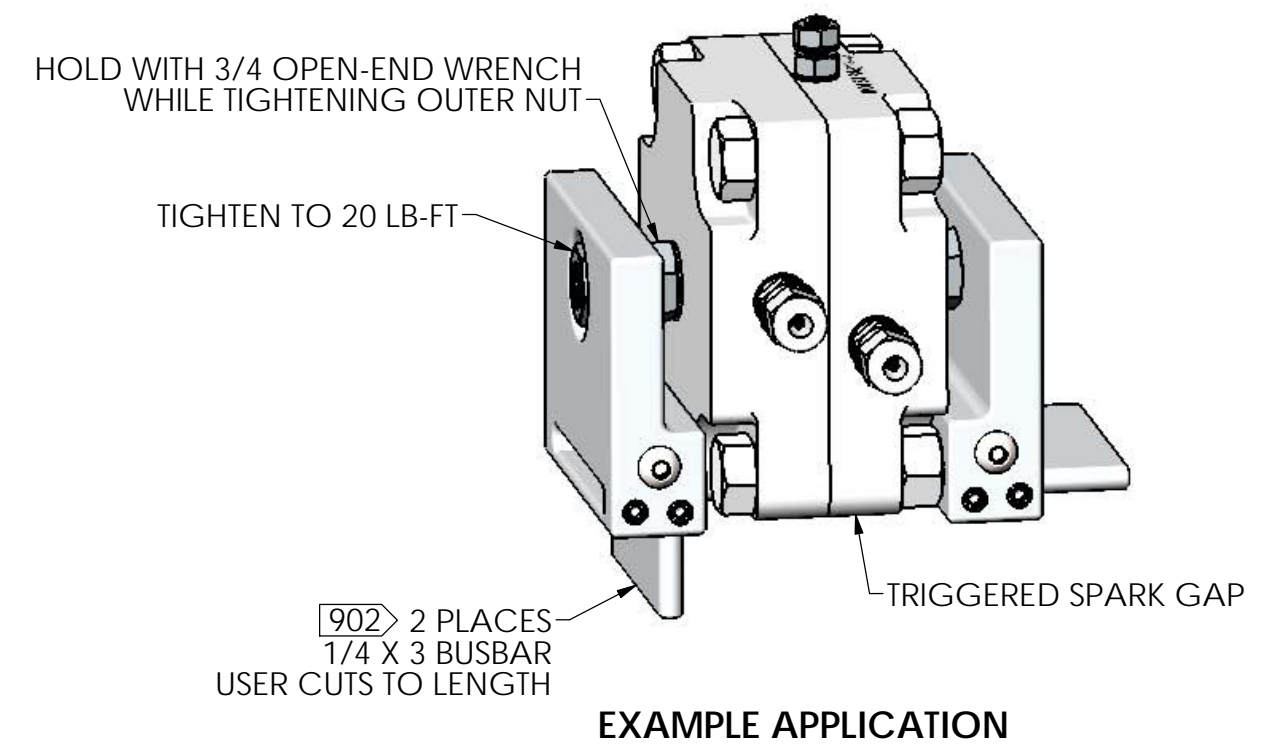
SECTION A-A



902 SUGGESTED BUSBAR.
NOT INCLUDED WITH COUPLER.
USER CUTS TO LENGTH.

900 FOR TECHNICAL QUESTIONS, CONTACT:
PEER HOFSTRA, (505) 913-9916

NOTES (UNLESS OTHERWISE SPECIFIED)
CALCULATED WEIGHT: .846 LB



NOT INCLUDED 902

ITEM	QTY	PART NUMBER	DESCRIPTION	MATERIAL
4	1	MCMMASTER 9397T17	1/4 THICK X 3 WIDE BUSBAR	6101 ALUMINUM
3	2	MCMMASTER 92949A535	BUTTON HEAD CAP SCREW, 1/4-20 X .375 LG	18-8 STAINLESS STEEL
2	4	MCMMASTER 92311A537	CUP-POINT SET SCREW, 1/4-20 X .500 LG	18-8 STAINLESS STEEL
1	1	HG-5471	SPARK GAP 2-WAY BUSBAR ADAPTER	

PARTS LIST / BILL OF MATERIALS

UNLESS OTHERWISE SPECIFIED, DIMENSIONS ARE IN INCHES. TOLERANCES ARE: .X = ± .030 .XX = ± .010 .XXX = ± .005 ANGULAR = ± 1° MACHINED FINISH = 63/			DESIGNED PEER HOFSTRA HG 12/22/18 DRAWN DANNY GALLANT GI 12/22/18 CHECKED PEER HOFSTRA HG 12/22/18 APPROVED PEER HOFSTRA HG 12/22/18		Hofstra Group, Ltd. Co. PROJECT BUSBAR SPARK GAP 2-WAY BUSBAR ADAPTER ASSEMBLY	
			INITIAL RELEASE APPROVALS MM/DD/YY		DRAWING NUMBER HG-5470	
NONE			SIZE B		SCALE: NONE DO NOT SCALE DRAWING	
NEXT ASSEMBLY			SHEET		1 OF 1	

WWW.HOFSTRAGROUP.COM