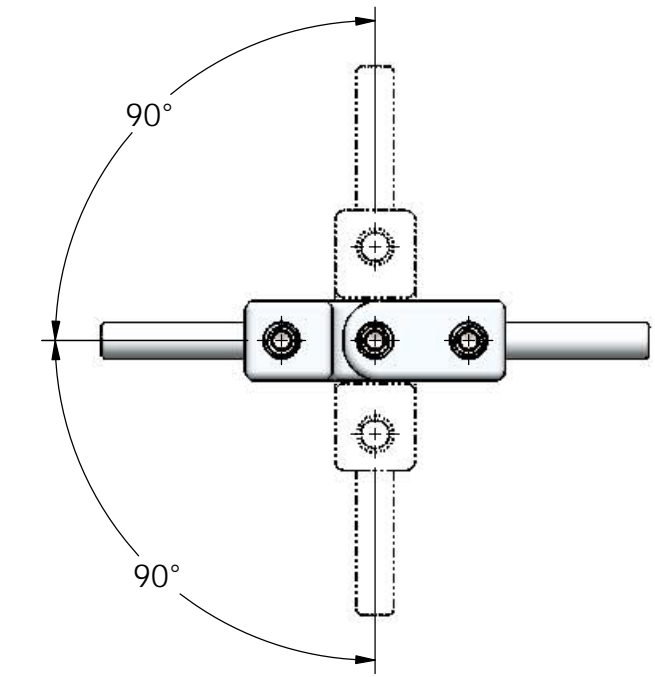
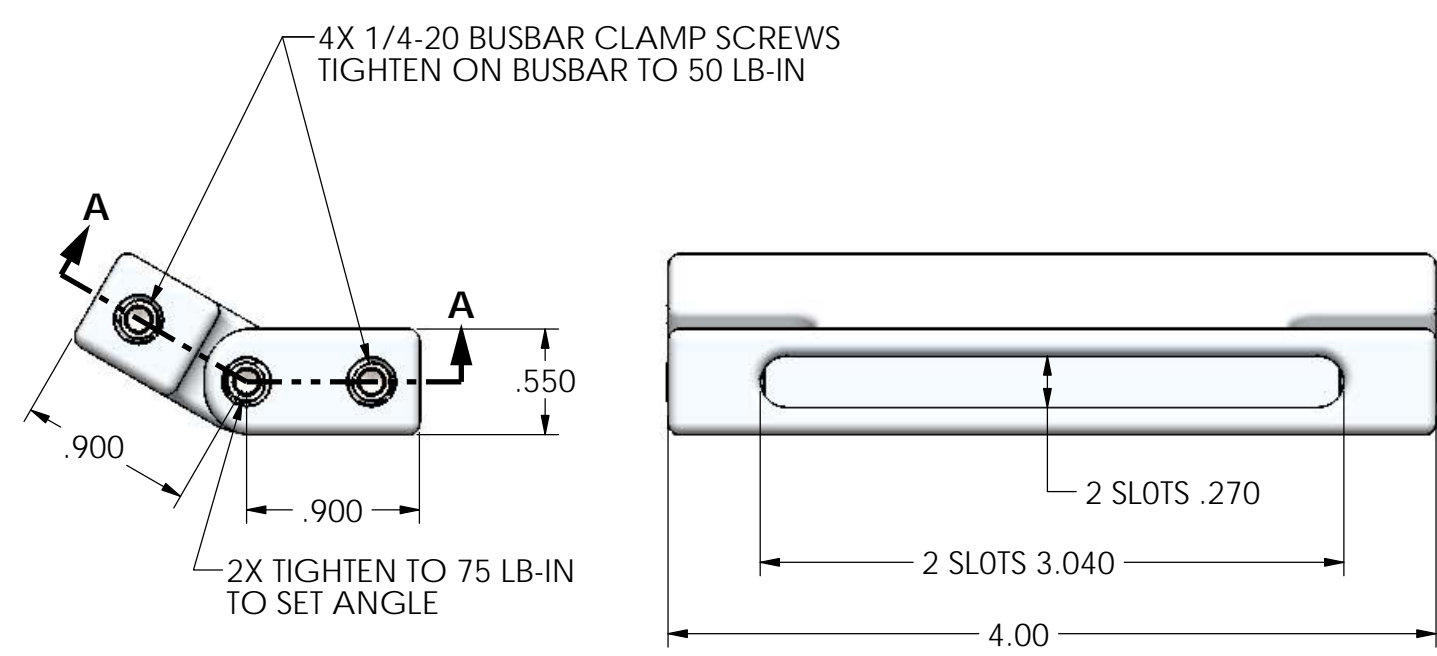
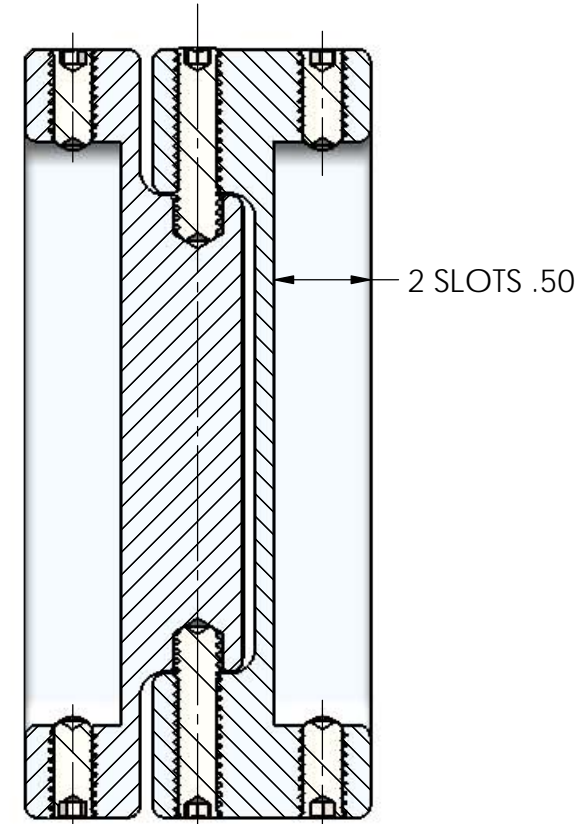
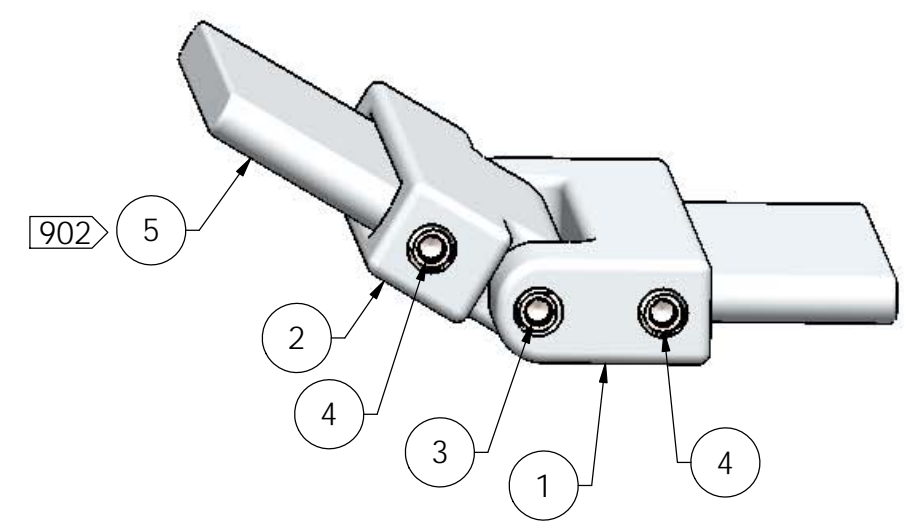


REVISIONS					
REV	ZONE	DESCRIPTION	CHANGED BY	APPROVED	MM/DD/YY



**RANGE OF MOTION**



**SECTION A-A**

902 SUGGESTED BUSBAR.  
NOT INCLUDED WITH COUPLER.  
USER CUTS TO LENGTH.

900 FOR TECHNICAL QUESTIONS, CONTACT:  
PEER HOFSTRA, (505) 913-9916

**NOTES** (UNLESS OTHERWISE SPECIFIED)  
CALCULATED WEIGHT: .517 LB

NOT INCLUDED 902

ITEM	QTY	PART NUMBER	DESCRIPTION	MATERIAL
5	2	MCMaster 9397T17	1/4 THICK X 3 WIDE BUSBAR	6101 ALUMINUM
4	4	MCMaster 92311A537	CUP-POINT SET SCREW, 1/4-20 X .500 LG	18-8 STAINLESS STEEL
3	2	MCMaster 92311A542	CUP-POINT SET SCREW, 1/4-20 X 1.0 LG	18-8 STAINLESS STEEL
2	1	HG-5486	ROTATABLE BUSBAR COUPLER, SIDE 2	
1	1	HG-5485	ROTATABLE BUSBAR COUPLER, SIDE 1	

**PARTS LIST / BILL OF MATERIALS**

UNLESS OTHERWISE SPECIFIED, DIMENSIONS ARE IN INCHES. TOLERANCES ARE: .X = ± .030 .XX = ± .010 .XXX = ± .005 ANGULAR = ± 1° MACHINED FINISH = 63/		INITIAL RELEASE APPROVALS DESIGNED PEER HOFSTRA HG 12/22/18 DRAWN DANNY GALLANT GI 12/22/18 CHECKED PEER HOFSTRA HG 12/22/18 APPROVED PEER HOFSTRA HG 12/22/18		<b>Hofstra Group, Ltd. Co.</b> PROJECT BUSBAR ROTATABLE BUSBAR COUPLER ASSEMBLY	
		NONE NEXT ASSEMBLY		DRAWING NUMBER <b>HG-5484</b> REV <b>A</b>	
SIZE	SCALE: NONE DO NOT SCALE DRAWING	SHEET		1 OF 1	