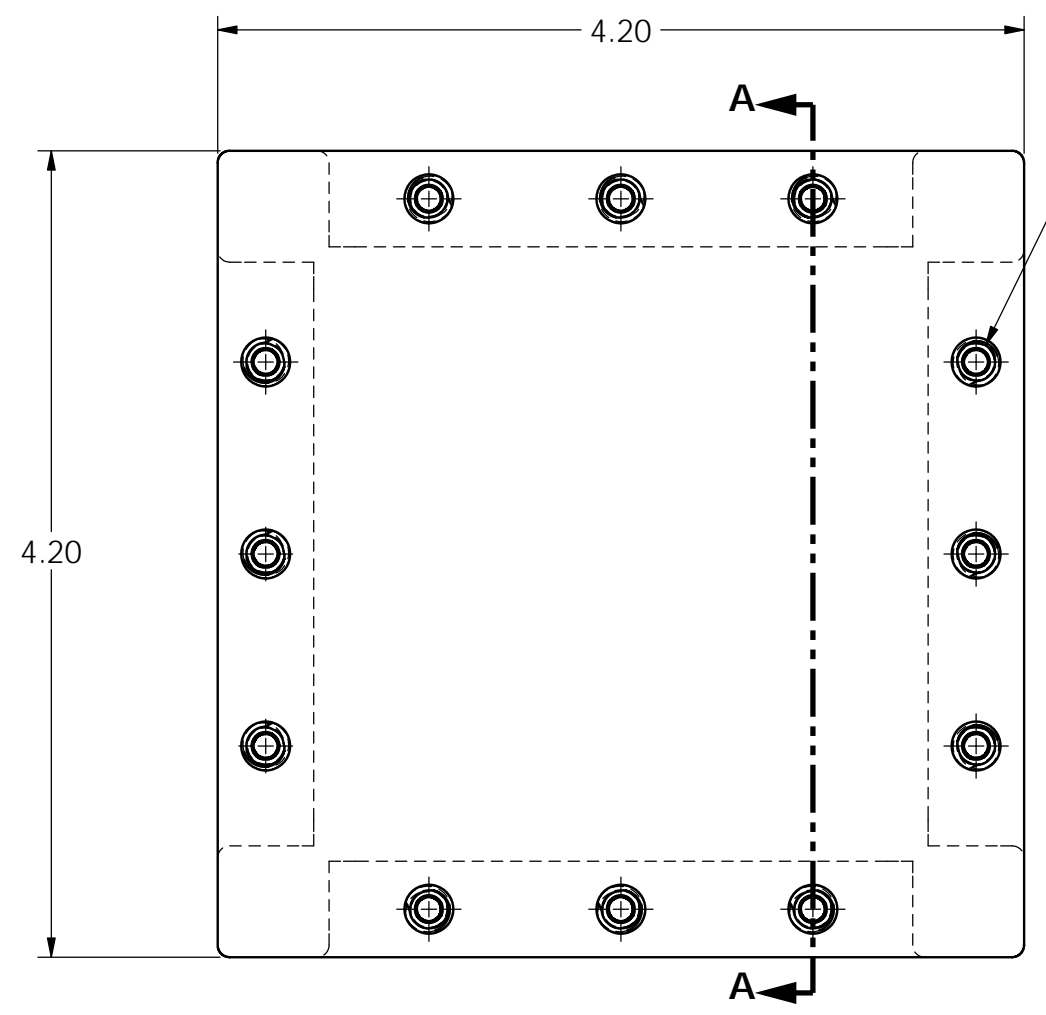
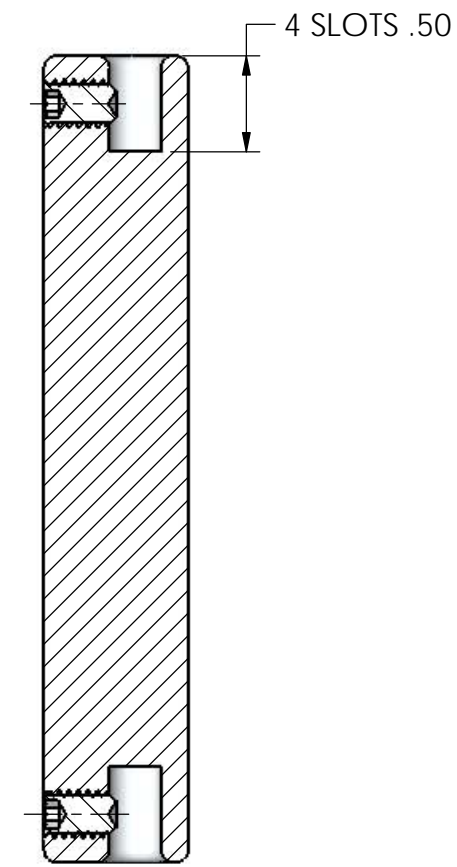


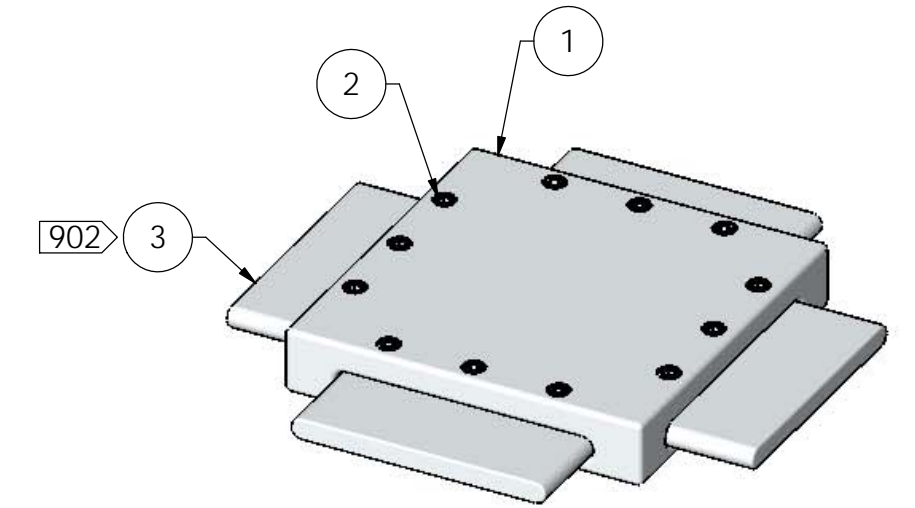
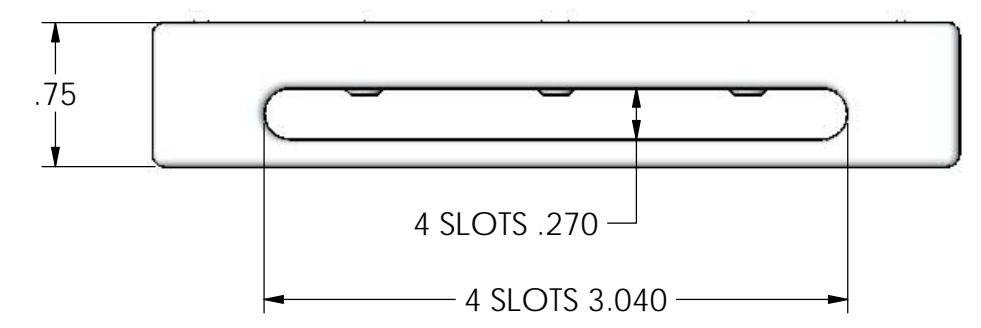
REVISIONS					
REV	ZONE	DESCRIPTION	CHANGED BY	APPROVED	MM/DD/YY



12X 1/4-20 BUSBAR CLAMP SCREWS
TIGHTEN ON BUSBAR TO 50 LB-IN



SECTION A-A



NOT INCLUDED 902

ITEM	QTY	PART NUMBER	DESCRIPTION	MATERIAL
3	4	MCMASTER 9397T17	1/4 THICK X 3 WIDE BUSBAR	6101 ALUMINUM
2	12	MCMASTER 92311A535	CUP-POINT SET SCREW, 1/4-20 X .375 LG	18-8 STAINLESS STEEL
1	1	HG-5483	CROSS BUSBAR COUPLER	

PARTS LIST / BILL OF MATERIALS

902 SUGGESTED BUSBAR.
NOT INCLUDED WITH COUPLER.
USER CUTS TO LENGTH.

900 FOR TECHNICAL QUESTIONS, CONTACT:
PEER HOFSTRA, (505) 913-9916

NOTES (UNLESS OTHERWISE SPECIFIED)
CALCULATED WEIGHT: 1.587 LB

WWW.HOFSTRAGROUP.COM

Printed on Sunday, December 23, 2018 12:07:32 PM

UNLESS OTHERWISE SPECIFIED, DIMENSIONS ARE IN INCHES. TOLERANCES ARE: .X = ± .030 .XX = ± .010 .XXX = ± .005 ANGULAR = ± 1° MACHINED FINISH = 63/		DESIGNED PEER HOFSTRA HG 12/22/18 DRAWN DANNY GALLANT GI 12/22/18 CHECKED PEER HOFSTRA HG 12/22/18 APPROVED PEER HOFSTRA HG 12/22/18		Hofstra Group, Ltd. Co. PROJECT BUSBAR CROSS BUSBAR COUPLER ASSEMBLY	
		NONE NEXT ASSEMBLY		DRAWING NUMBER HG-5482 REV A	
SIZE B	SCALE: NONE DO NOT SCALE DRAWING	SHEET		1 OF 1	