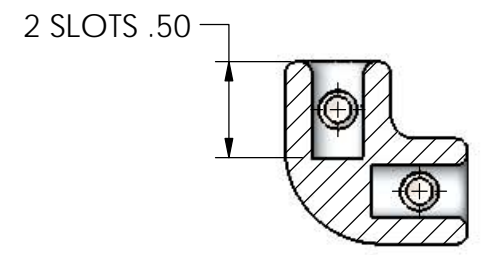
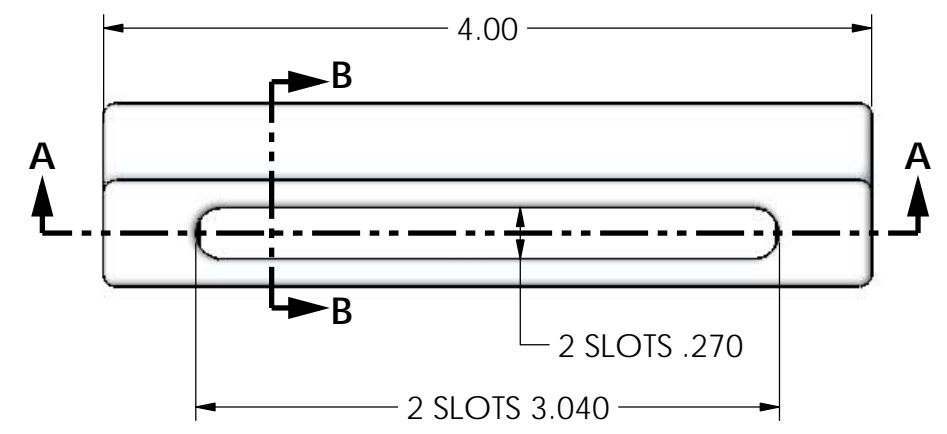


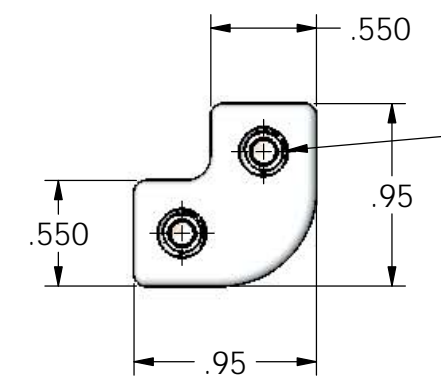
REVISIONS					
REV	ZONE	DESCRIPTION	CHANGED BY	APPROVED	MM/DD/YY



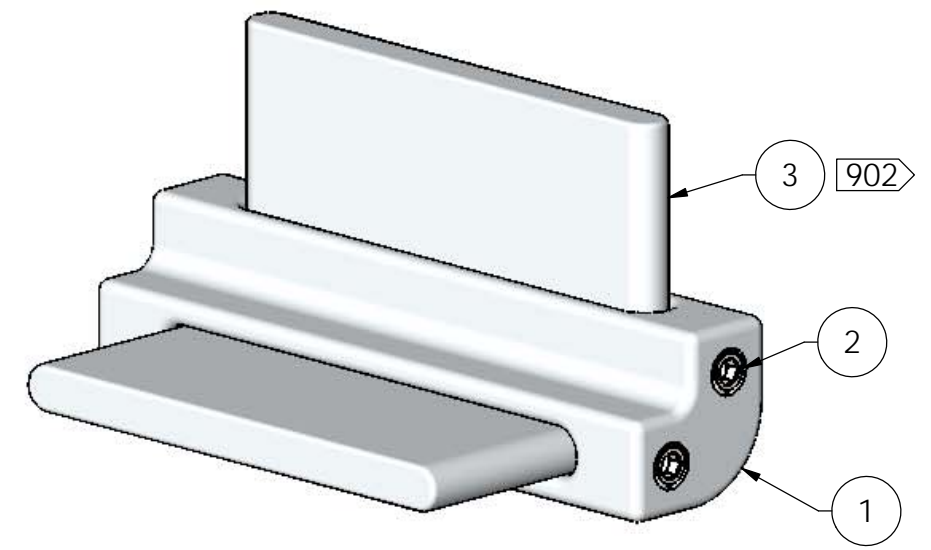
SECTION B-B



SECTION A-A



4X 1/4-20 BUSBAR CLAMP SCREWS
TIGHTEN ON BUSBAR TO 50 LB-IN



NOT INCLUDED 902

ITEM	QTY	PART NUMBER	DESCRIPTION	MATERIAL
3	2	MCMASTER 9397T17	1/4 THICK X 3 WIDE BUSBAR	6101 ALUMINUM
2	4	MCMASTER 92311A537	CUP-POINT SET SCREW, 1/4-20 X .500 LG	18-8 STAINLESS STEEL
1	1	HG-5475	CORNER BUSBAR COUPLER	

PARTS LIST / BILL OF MATERIALS

902 SUGGESTED BUSBAR.
NOT INCLUDED WITH COUPLER.
USER CUTS TO LENGTH.

900 FOR TECHNICAL QUESTIONS, CONTACT:
PEER HOFSTRA, (505) 913-9916

NOTES (UNLESS OTHERWISE SPECIFIED)
CALCULATED WEIGHT: .417 LB

WWW.HOFSTRAGROUP.COM

UNLESS OTHERWISE SPECIFIED, DIMENSIONS ARE IN INCHES. TOLERANCES ARE: .X = ± .030 .XX = ± .010 .XXX = ± .005 ANGULAR = ± 1° MACHINED FINISH = 63/		INITIAL RELEASE APPROVALS MM/DD/YY		Hofstra Group, Ltd. Co. PROJECT BUSBAR CORNER BUSBAR COUPLER ASSEMBLY	
		DESIGNED	PEER HOFSTRA		HG
		DRAWN	DANNY GALLANT	GI	12/22/18
		CHECKED	PEER HOFSTRA	HG	12/22/18
		APPROVED	PEER HOFSTRA	HG	12/22/18
		DRAWING NUMBER		REV	
		HG-5474		A	
NONE		SCALE: NONE DO NOT SCALE DRAWING		SHEET 1 OF 1	