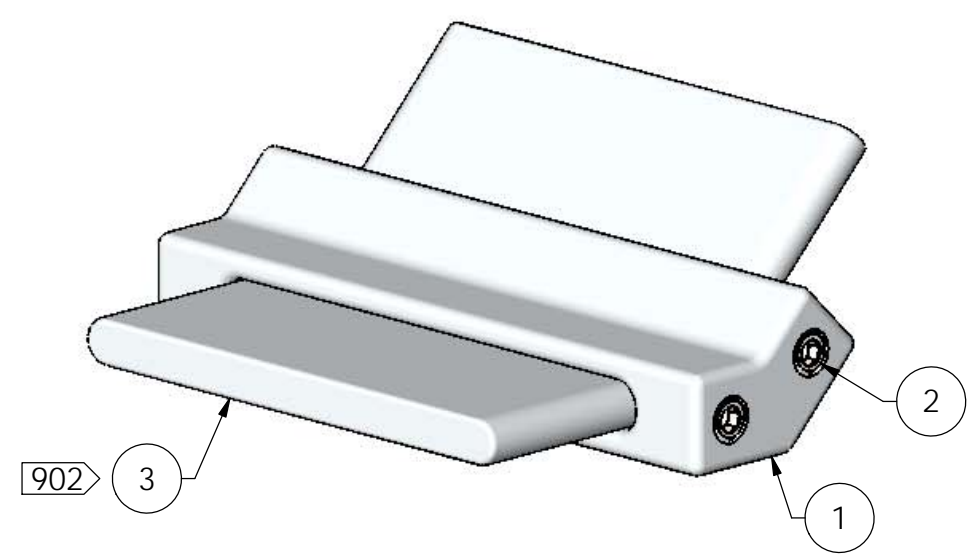
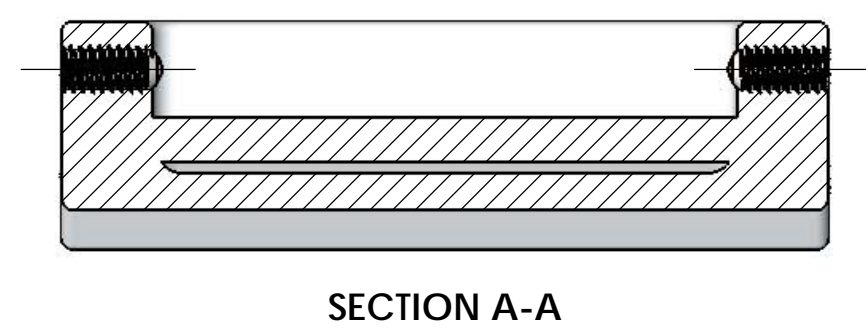
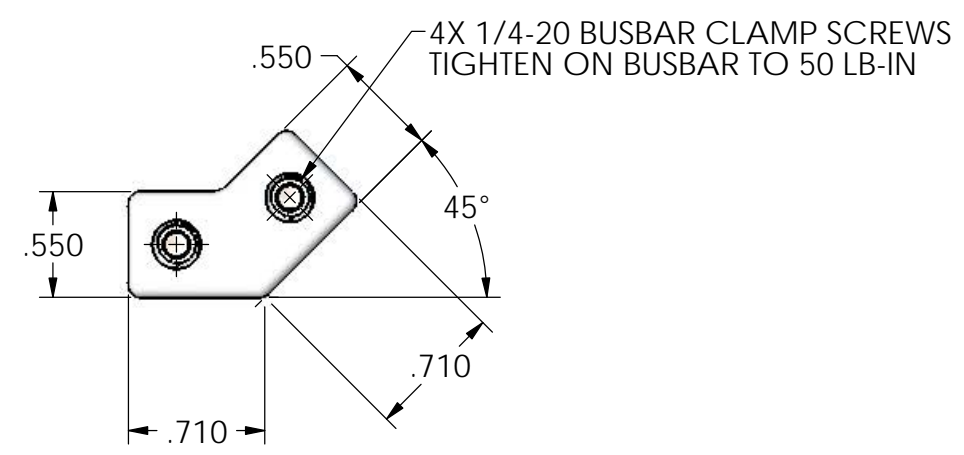
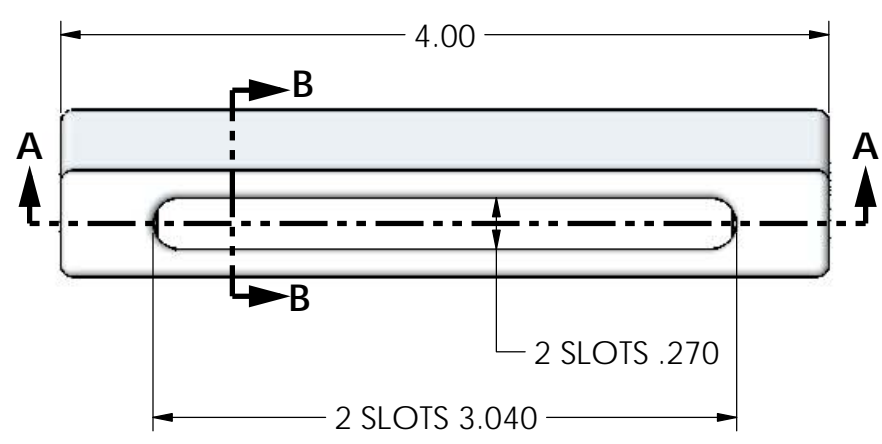
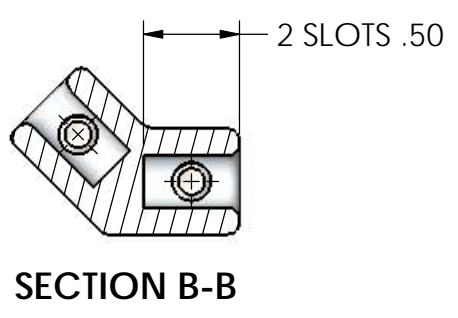


REVISIONS					
REV	ZONE	DESCRIPTION	CHANGED BY	APPROVED	MM/DD/YY



NOT INCLUDED 902

ITEM	QTY	PART NUMBER	DESCRIPTION	MATERIAL
3	2	MCMASTER 9397T17	1/4 THICK X 3 WIDE BUSBAR	6101 ALUMINUM
2	4	MCMASTER 92311A537	CUP-POINT SET SCREW, 1/4-20 X .500 LG	18-8 STAINLESS STEEL
1	1	HG-5479	45 DEGREE BUSBAR COUPLER	

PARTS LIST / BILL OF MATERIALS

UNLESS OTHERWISE SPECIFIED, DIMENSIONS ARE IN INCHES. TOLERANCES ARE: .X = ± .030 .XX = ± .010 .XXX = ± .005 ANGULAR = ± 1° MACHINED FINISH = 63/		INITIAL RELEASE APPROVALS DESIGNED: PEER HOFSTRA (HG) 12/22/18 DRAWN: DANNY GALLANT (GI) 12/22/18 CHECKED: PEER HOFSTRA (HG) 12/22/18 APPROVED: PEER HOFSTRA (HG) 12/22/18			Hofstra Group, Ltd. Co. PROJECT: BUSBAR 45 DEGREE BUSBAR COUPLER ASSEMBLY	
		DRAWING NUMBER: HG-5478 REV: A		SCALE: NONE DO NOT SCALE DRAWING		SHEET 1 OF 1

902 SUGGESTED BUSBAR. NOT INCLUDED WITH COUPLER. USER CUTS TO LENGTH.
 900 FOR TECHNICAL QUESTIONS, CONTACT: PEER HOFSTRA, (505) 913-9916
NOTES (UNLESS OTHERWISE SPECIFIED)
 CALCULATED WEIGHT: .187 LB

WWW.HOFSTRAGROUP.COM