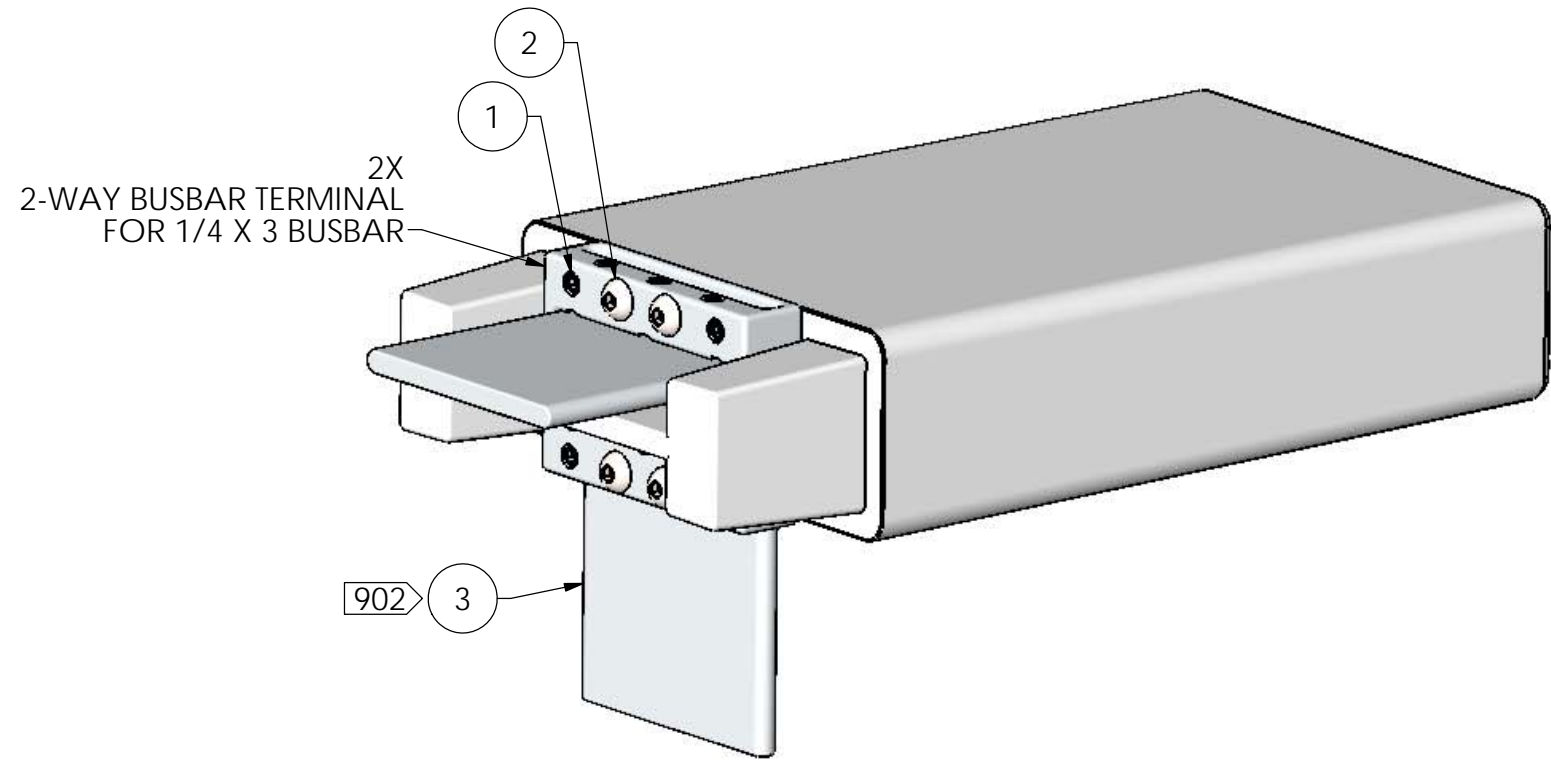
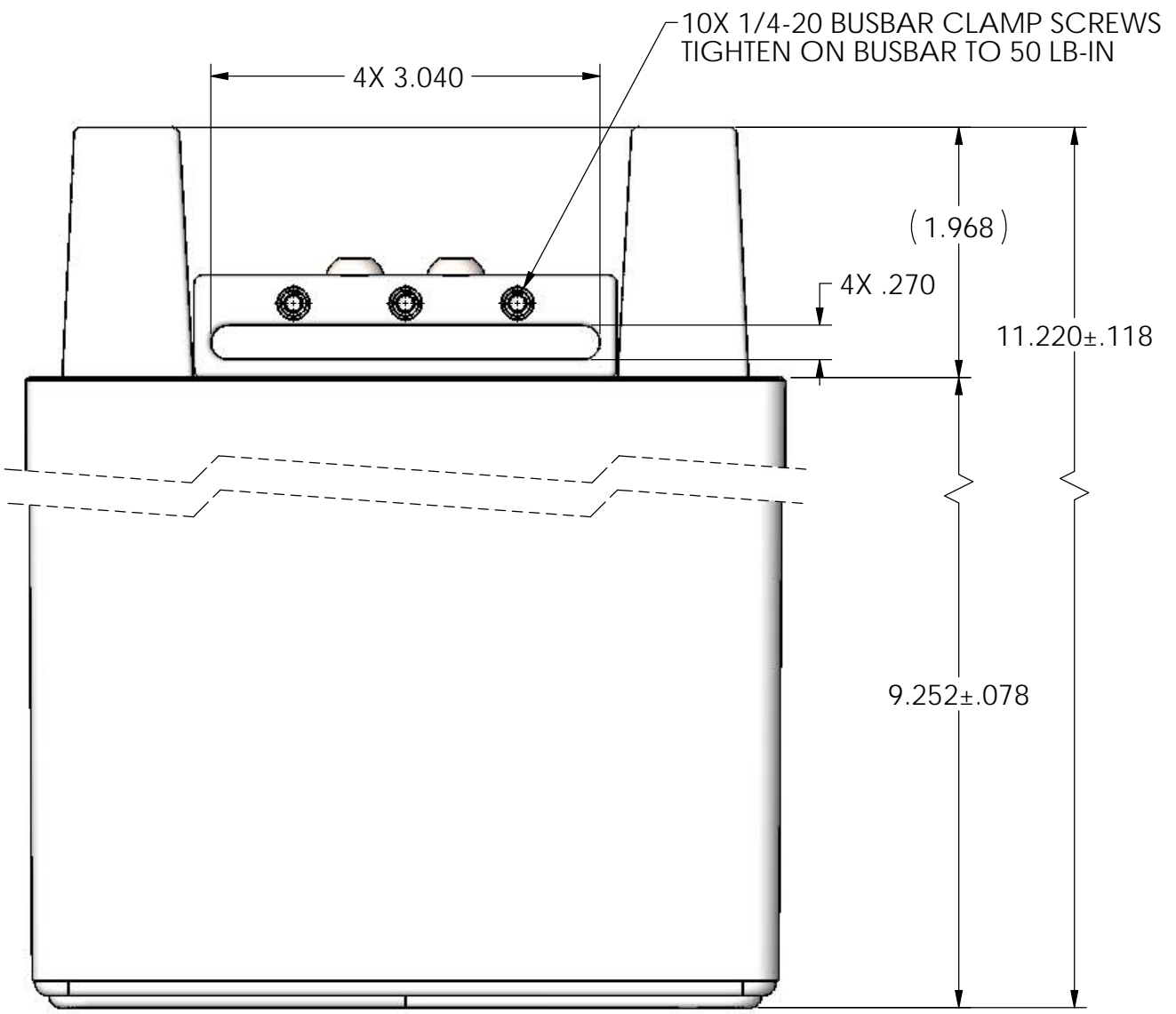
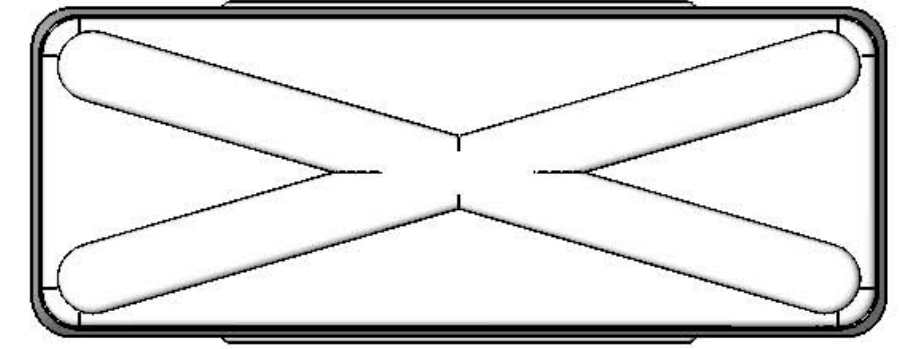
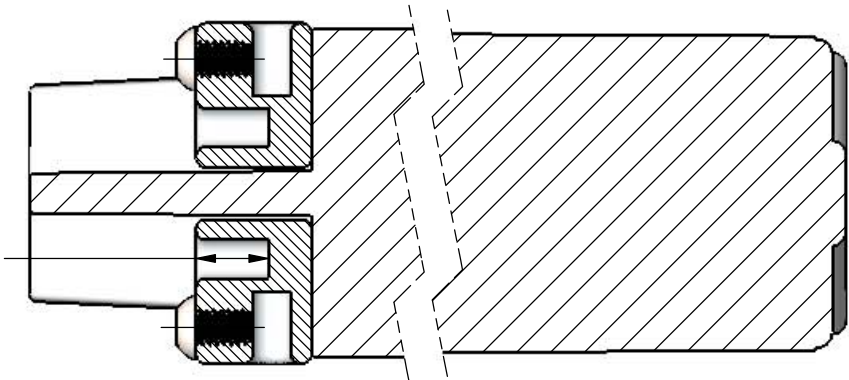
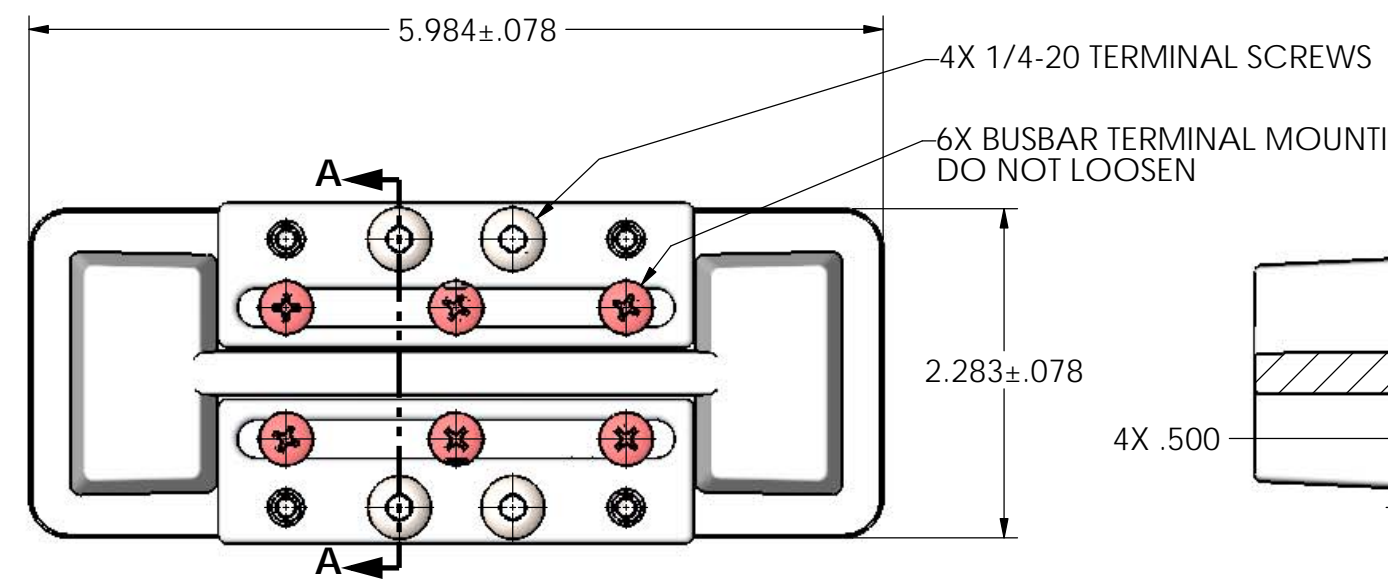


REVISIONS					
REV	ZONE	DESCRIPTION	CHANGED BY	APPROVED	MM/DD/YY



NOT INCLUDED 902

ITEM	QTY.	PART NUMBER	DESCRIPTION	MATERIAL
3	2	MCMASTER 9397T17	1/4 THICK X 3 WIDE BUSBAR	6101 ALUMINUM
2	4	MCMASTER 92949A535	BUTTON HEAD CAP SCREW, 1/4-20 X .375 LG	18-8 STAINLESS STEEL
1	10	MCMASTER 92311A535	CUP-POINT SET SCREW, 1/4-20 X .375 LG	18-8 STAINLESS STEEL

PARTS LIST / BILL OF MATERIALS

902 SUGGESTED BUSBAR.  
NOT INCLUDED WITH CAPACITOR.  
USER CUTS TO LENGTH.

900 FOR TECHNICAL QUESTIONS, CONTACT:  
PEER HOFSTRA, (505) 913-9916

NOTES (UNLESS OTHERWISE SPECIFIED)  
APPROXIMATE WEIGHT: 7.540 LB

WWW.HOFSTRAGROUP.COM

UNLESS OTHERWISE SPECIFIED, DIMENSIONS ARE IN INCHES. TOLERANCES ARE: .X = ± .XX = ± .XXX = ±		ANGULAR = ± ° MACHINED FINISH = ✓	INITIAL RELEASE APPROVALS		MM/DD/YY DESIGNED PEER HOFSTRA HG 05/13/18 DRAWN DANNY GALLANT GI 05/13/18 CHECKED PEER HOFSTRA HG 05/13/18 APPROVED PEER HOFSTRA HG 05/13/18	<b>Hofstra Group, Ltd. Co.</b> PROJECT HURON	
			50 kV 0.21 µF PULSE CAPACITOR DIMENSIONS			DRAWING NUMBER <b>HG-5430</b>	
NONE		NEXT ASSEMBLY		SIZE B SCALE: NONE DO NOT SCALE DRAWING		SHEET 1 OF 1	