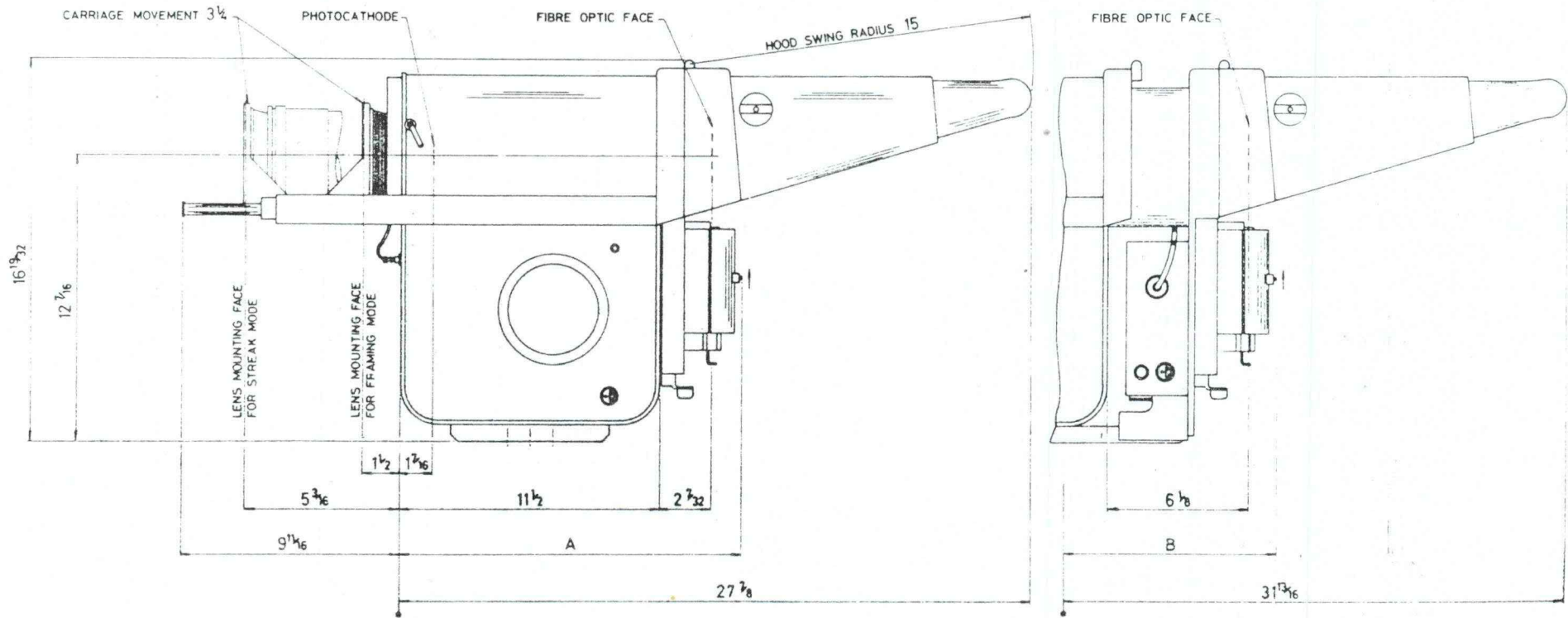


ALL DIMENSIONS ARE NOMINAL AND SUBJECT TO CHANGE DUE TO DESIGN IMPROVEMENTS AT THE DISCRETION OF JOHN HADLAND (P.I.) LTD.

FILM BACK TYPE	DIM A	DIM B
POLAROID ROLL	$15\frac{3}{16}$	$19\frac{7}{32}$
5x4 CUT FILM	$15\frac{7}{8}$	$19\frac{25}{32}$
LINHOF	$17\frac{3}{4}$	$21\frac{1}{16}$

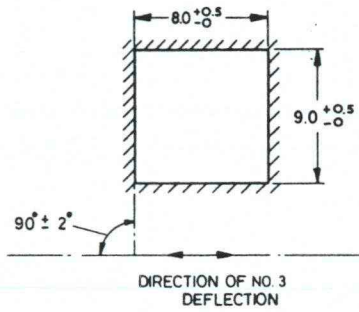


OUTLINE DIMENSIONS OF IMACON 675 & 790

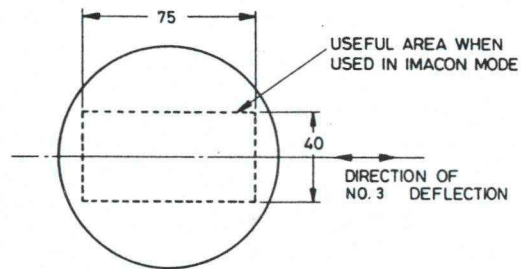
OUTLINE DIMENSIONS WITH 50/40 INTENSIFIER FITTED

**Useful Area of Photocathode**

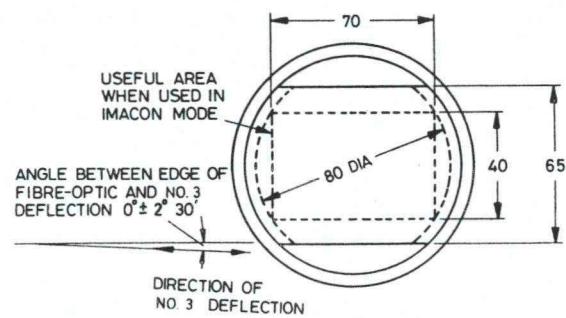
4447



**Useful Area of Output Phosphor (P856A)**



**Useful Area of Output Fibre-Optic (P856B, C and D)**



All dimensions in millimetres